

How To Install

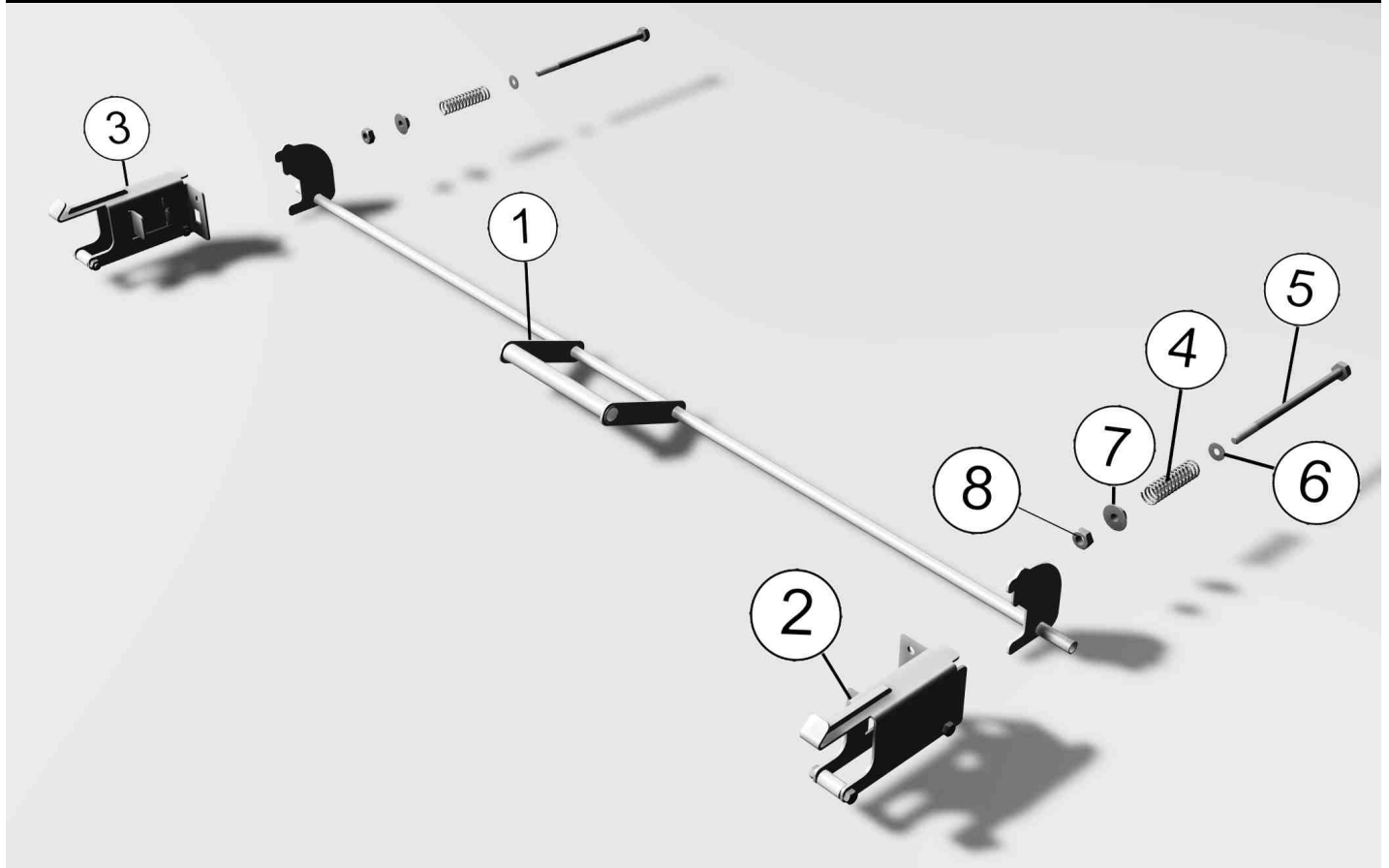
the

**Latch Assembly**

of the

**TiltNStore<sup>TM</sup>**  
The wall mount storage system

## What is in the box



### Parts:

1. Cam and Handle Weldment (1)
2. Left Hand Slider (1)
3. Right Hand Slider (1)
4. Spring (2)
5. Hex Head Bolts, 4 inches long (2)
6. Flat Washers (4)
7. Flange Nuts (2)
8. Nylock Hex Nuts (2)

image 101

## Tools Needed



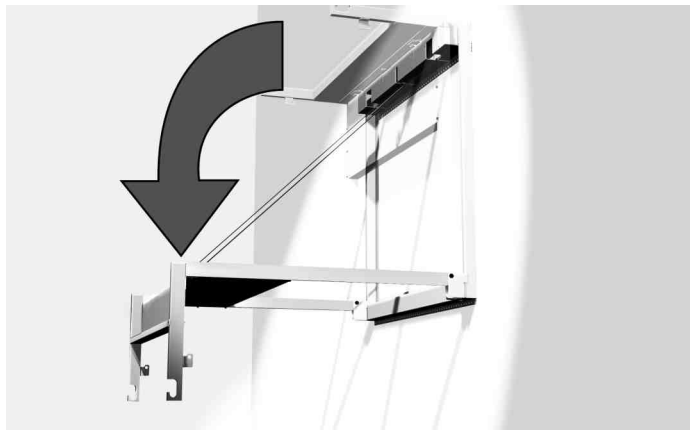
A 7/16 open end wrench.

A drill with a T-30 Torx bit.

image 102

# How To Install the Latching Assembly

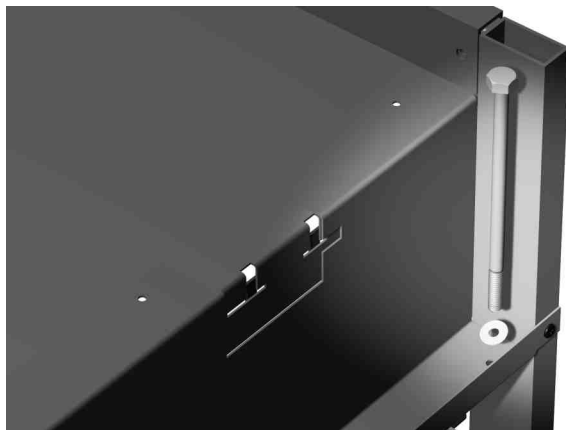
image 103



## Attaching the Sliders

1. Lower the arms of the TiltNStore so they are pointing straight out.

image 104



2. Take one of the long Bolts and slide a Flat Washer onto it.

3. Drop the long Bolt down through the hole in the shield.

image 105



4. Slide a Spring up onto the Bolt.

5. Slide a Flat Washer up onto the Bolt to hold the Spring in place.

6. Screw a Flange Nut onto the Bolt to hold the Flat Washer in place.

The Flange should be facing down.

Screw the Nut up as far as it will go.

image 106

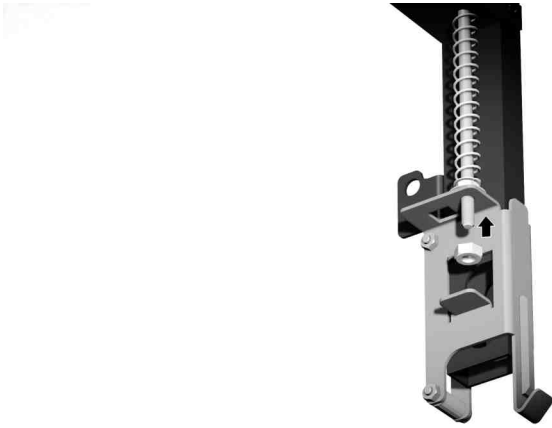


7. Slip the Slider up onto the open end of the Arm.

Make sure the White Rollers are facing the wall and the square Tab on the side is facing towards the middle of the machine.

Slide the hole in the Tab up onto the Bolt.

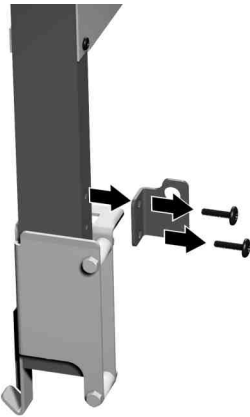
image 107



8. Screw a Locking Nut up onto the Bolt and snug it tight.

9. Do all this on the other side too.

image 108



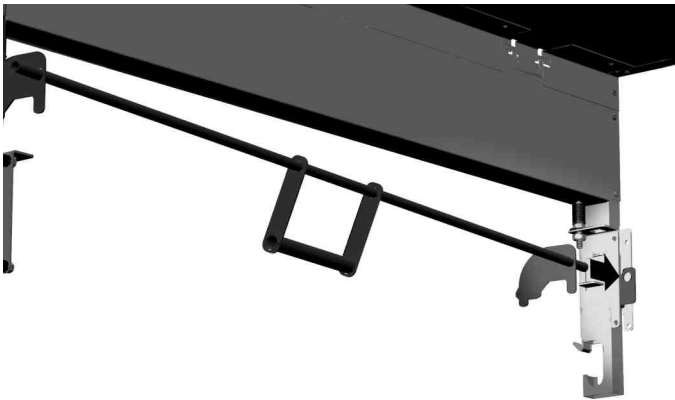
### Mount the Cams

10. Go to the back of one of the arms and remove one of the two the Mounting Brackets leaving the other one in place.

Use the T-30 Torx bit to unscrew the two screws.

Hang on to this parts because you will be putting them back on in a minute.

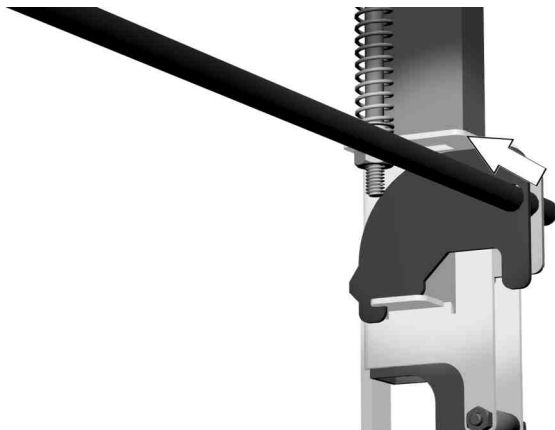
image 109



11. Take the Cam Weldment and slide the round shaft into the hole of the other Bracket that is on the other Arm.

Make sure the handle is hanging down and the bulge of the Cam is facing away from the wall.

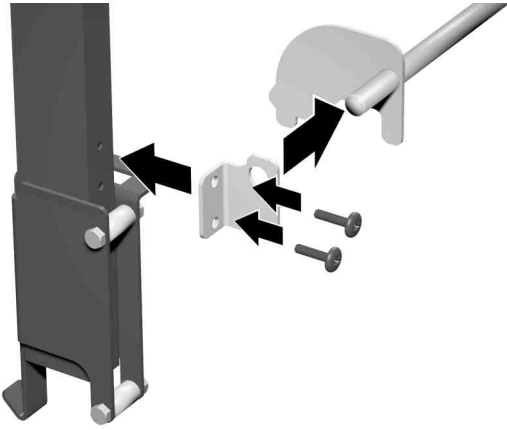
image 110



12. You will need to slide the Slider up so Cam is pushing up on the Tab.

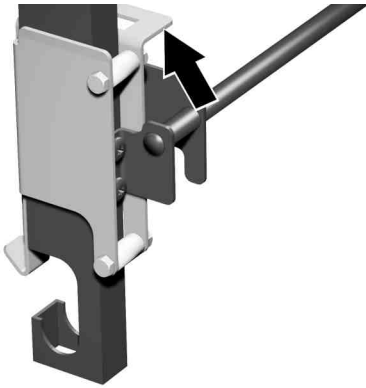
When you are done the spring should be pushing the Slider Tab down onto the Cam.

image 111



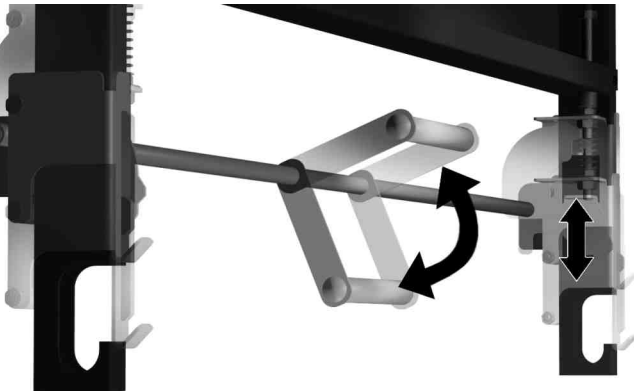
13. Take the Bracket you just removed and slide it onto the other end of the Cam Weldment.

image 112



14. Move the Slider up to get the Cam under it and screw the Bracket back into place.

image 113



15. Grab the handle and make sure the Sliders are working smoothly.

## One Year Warranty

Your TiltNStore comes with a 1 year parts and labor warranty covering Metal parts, Electrical, and the Motor Gear Box. This does not cover misuse, abuse or over loading.

## Maintenance:

Your TiltNStore requires no lubrication or other maintenance. Periodically check the nylon Hang Straps and look for wear, cuts or abrasion.

## *Warning:*

Never allow anyone to hang on or play with this machine.  
It is NOT a toy or a chin bar.  
Possible injury can result and damage to your TiltNStore will not be covered by your warranty.